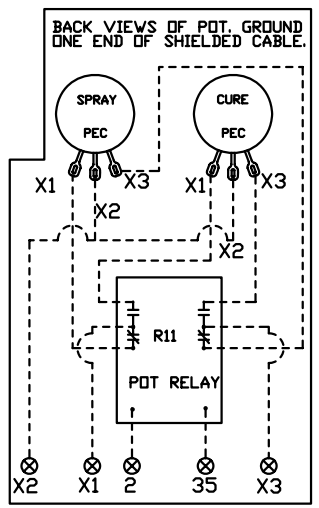


T1 TRANSFORMER
PRIMARY CONNECTION

H1	- 460 USE 1.6 AMP BREAKER
H2	- 230 USE 3.0 AMP BREAKER
H3	- 208 USE 4.0 AMP BREAKER
H4	- COMMON

NOTE:
FOR 1 PDT USAGE DO NOT
CONNECT WIRE 35 TO R11



- NOTES:
- WIRE OVER 24VAC TO BE A MINIMUM OF 16 AWG FLEXING TYPE HTW, 105C, 600V OR EQUIVALENT
COLORS 115VAC: PHASE-RED, NEUTRAL-WHITE, GROUND-GREEN
COLORS 24VAC: BLUE
 - CONTROL WIRE TO BE A MINIMUM OF 20 AWG TYPE BELDEN 5401FE
CMR 75C SHIELDED OR EQUIVALENT
 - POWER SUPPLY AND MOTOR WIRES TO BE SIZED TO NFPA79, LATEST EDITION
COLORS ALL VOLTAGES: PHASE(S)-BLACK, GROUND-GREEN

- ⊙ TERMINALS LOCATED IN CONTROL PANEL ONLY
- ⊗ TERMINALS LOCATED IN CONTROL PANEL AND CONNECTED TO THE REMOTE PANEL
- TERMINALS LOCATED IN REMOTE PANEL ONLY
- WIRE(S) LOCATED IN CONTROL PANEL
- - - WIRE(S) LOCATED IN REMOTE PANEL
- ⊕ SHIELDED WIRE(S), ONE END GROUNDED

**WIRE CONNECTIONS
REMOTE TO MAIN PANEL**
1, 2, 3A, 4, 7, 12, 35
44, 45, 48, 49 (SHIELD)
X1, X2, X3 (SHIELD)

TITLE: 80070 DIGITAL DUAL #1
DRAWING NUMBER: 80070 **REV NUMBER:** C DRR-1748
DRAWN BY: JM **DATE:** FEB 22, 07
SCALE: NONE **SHEET:** 1 OF 1